

# friendlyway van 17<sup>®</sup>

## A Slim All-Rounder

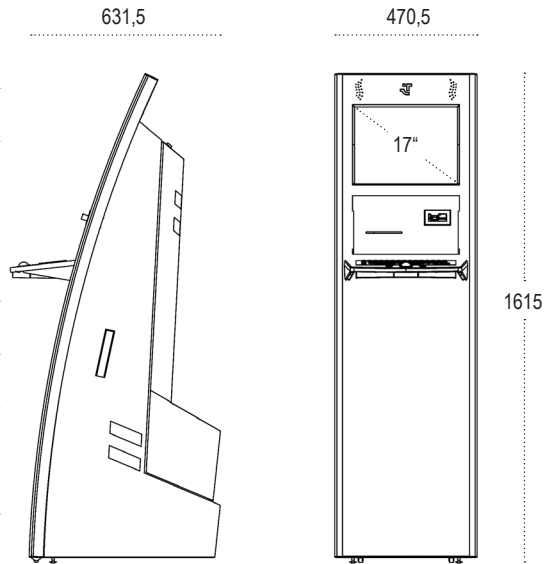
The friendlyway van 17 combines the design of the classic 17/19 with a spacious housing to accommodate the modular design of modern high-performance kiosk systems.

Nearly all common hardware peripherals (printer, barcode reader, card scanner, webcam, etc.) can be integrated in the kiosk side by side. The built-in multifunction front panel lets you update components and peripherals at your own pace and without having to send in the terminal.

Despite its spacious design for technological extensions, the friendlyway van 17 is slim and elegant in appearance. Thanks to built-in floor brackets, the friendlyway van 17 always stands its ground—even in high-traffic public locations.

The kiosk can easily be adapted to your company's corporate identity thanks to illuminated advertising panels, individual labeling, and colored paintwork options.





#### Technical Data

friendlyway van 17

#### Specifications

- 17" (resolution: 1280 x 1024 pixels)
- 470,5 \* 1615 \* 631,5 mm (width \* height \* depth), 60 kg
- Luminance: 300 cd/qm
- View angle: 160° / 160°
- Touch option: SAW, Surface Acoustic Wave
- CPU: Small Form Factor PC, Dell™ Optiplex™ 760 (or comparable performance), as well as mini Tower
- Housing: Anodized aluminum front panel, chrome-plated side panels, powder-coated metal rear panel
- Power supply: Intern 85 - 265 VAC
- Ambient temperature: +5°C - +35°C
- Location: Indoor

#### Highlights

- Elegant designer shell
- Anodized aluminum front panel
- Chrome-plated side panels
- Brilliant 17-inch display

#### Special Equipment

- Touch screen (normal or shock resistant)
- Integrated hi-fi loudspeakers
- Keyboard (plastic or vandal-proof stainless steel)
- Magnetic strip and chip card reader
- Thermal printer (58 mm to DIN A4)
- Laser printer
- Webcam
- Ultrasonic proximity sensor
- Barcode reader
- DVD burner
- Memory card reading device
- Payment functions (coin and bank note verification)
- Wireless networking (WLAN)
- Telephone options (analog and VoIP)
- Illuminated advertising panel for personalized designs
- Foil label to personalize the kiosk with your corporate identity
- UPS (uninterrupted power supply)
- Further configuration options on request

#### Areas of Application

Point of Sale (further configuration options adaptable to your applications), trade fair kiosk, navigation system, retail store terminal, cueing system, contact management system